

Emergency Lowering Instructions

Genie Large Diesel Boom Lifts

Machine Range: Z80 and S125



If there is a machine breakdown or if the operator becomes incapacitated it may be necessary to perform an emergency rescue from the ground. Emergency rescues must be rehearsed routinely.



Warning

While every effort is made to ensure that the information provided is accurate and up to date, we are not able to guarantee the completeness and accuracy of these instructions and you should therefore not rely on them. Nationwide Platforms Ltd accepts no liability for reliance on the contents of this information sheet which has been produced as additional GUIDANCE ONLY and is not intended to replace the manufacturer's manual. You should refer to the manufacturer's manual.

You should not operate this Mobile Elevating Work Platform (MEWP) unless you are suitably trained and fully familiarised with its operation and the emergency procedures set out in the manufacturer's manual. Operating plant necessarily involves risk of injury to the person.

A

Before starting work consider the following:

- Will there be a second person in the vicinity of the machine to undertake a rescue if required?
- Have both the operator and rescuer been familiarised with ground controls?
- Can the rescuer gain access to the ground controls? i.e. Ensure that the machine is not parked with the ground controls facing a wall or similar obstruction.
- Is the key in the ground control to allow the rescuer to switch power from basket to ground controls?

B

Before attempting to lower platform:

- It is imperative that an inspection be carried out to ensure the lowering of the platform is not hindered by obstructions such as steel work, pipes, cables, etc. It may be necessary to retract the extension deck prior to lowering.
- If the operator has been incapacitated ensure they will not be put in additional danger by lowering of the platform. Remember that completing a rescue in 4-6 minutes may be critical.
- If unsure seek help (it may be necessary to carry out a mid air rescue).
- Carefully plan each action before starting to lower the platform.

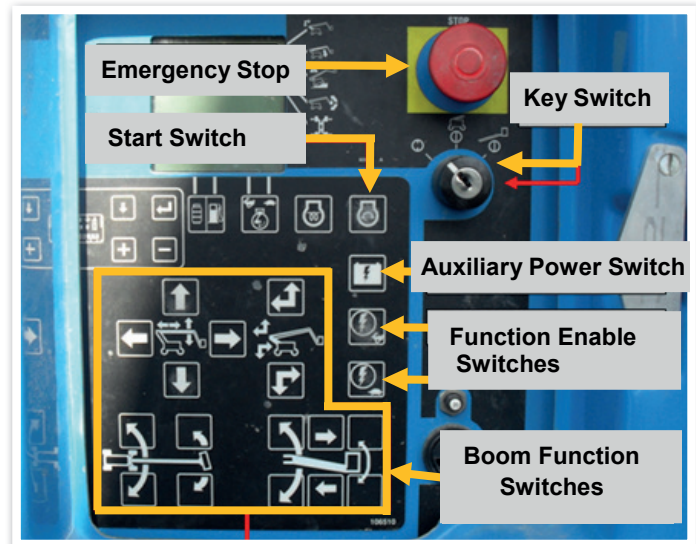
C

If there are no obstructions and the engine is functional:

In order of preference, always attempt C before attempting D

Warning: do not hold onto or place any part of the body through the scissor arms due to crushing risk.

- 1 Check for any obstructions.
- 2 Switch the Key Switch to "base" position.
- 3 Pull out or twist Emergency Stop.
- 4 Start engine using Start Switch.
- 5 Operate and hold Function Enable Switch to fast speed (denoted by hare symbol).
- 6 Operate and hold desired Boom Function Switch (an alarm should sound to indicate boom is being lowered).



Panels may vary slightly in appearance depending on year and model but all have the same functions

D

In the case of engine failure, obstructions or trapped operator:

In the case where the boom cannot be directly lowered or if the operator is trapped, it is necessary to use the Auxiliary Power Function until the boom is clear. This will give the rescuer more precise control of each function. Once all obstructions have been cleared normal operation of the boom using the engine should be resumed.

- 1 Check for any obstructions.
- 2 If the engine is still running push the Emergency Stop Switch in to switch the machine off.
- 3 Switch the key switch to "base" position.
- 4 Pull out or twist Emergency Stop.
- 5 Operate and hold the Auxiliary Power Switch while simultaneously operating and holding the required Boom Function Switch (an alarm should sound to indicate boom is being lowered).
- 6 Once the boom is clear of obstructions start the engine using the start switch.
- 7 Operate and hold the fast speed Function Enable Switch (denoted by hare symbol).
- 8 Operate and hold desired Boom Function Switch (an alarm should sound to indicate boom is being lowered).

E

Technical advice and training courses

If the controls do not function or you are unsure of their operation please call our Technical Support team on 0845 745 0000 option 3.

As the UK's largest training provider in our industry, we have a range of courses to help you and your operators to work efficiently and safely at height.

Contact us for full details of courses and dates.